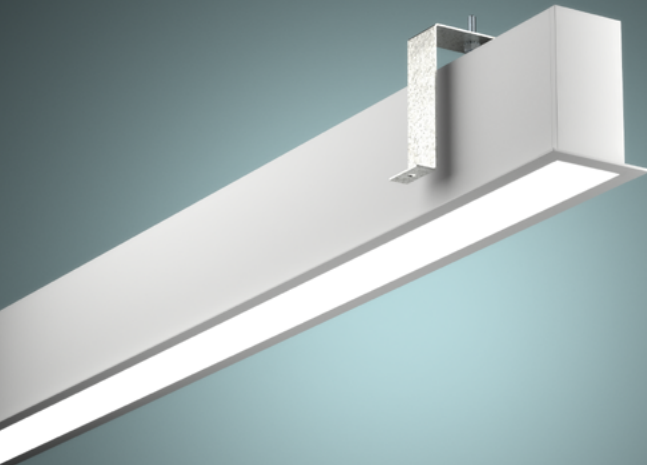




Customer Name	Date
Project Name	
Catalog Number	



Aqua Series

2, 3, 4, 6 Rec RGBW



The Aqua Rec RGBW series by Forum is a line of color-selectable extruded aluminum rectilinear luminaires approved for wet location, allowing for design consistency throughout wet and dry locations. Aqua features standard aperture sizes of 2, 3, 4, and 6". Multiple mounting configurations are available including rigid stem, surface as well as wall mounted. Aqua is available in Black, White, Silver, and custom colors and features a premium design, fit and finish. Current's patented TriGain® phosphor delivers 90 CRI color quality at 80 CRI efficacy.

Ordering

AQR - F - LED - - - - - X - - - - -
 Im/ft CCT

DISTRIBUTION	PROFILE	OUTPUT	SHIELDING	LENGTH	VOLTAGE	FINISH	OPTION 1	OPTION 2	OPTION 3
AQR-G ACT Grid	32 2 3/8" width 3 3/4" height	65 650 lm/ft 6.5 input watts/ft*	SAT Satin Lens	2 2'	120V	WH White	F Fusing	SW Separate Switch	
AQR-F Overlap Flange	42 2 3/8" width 4 3/4" height	95 950 lm/ft 9.5 input watts/ft*	WOL White Opal Lens	3 3'	277V	SV Silver	EC Emergency Circuit	90 CRI 90 CRI	
AQR-FF Mud-In Flange	33 2 15/16" width 3 3/4" height	* Assumes 4000k w/ satin lens Lumen Multiplier = % of 4000K Consult factory for limitations		4 4'	UNV Universal	BK Black	DIMMING OPTIONS (CHOOSE 1)		
43 2 15/16" width 4 3/4" height	35 3500k temp 96.8%			DALI Digitally Addressable Lighting Interface			DMX DMX 512		
34 4 1/2" width 3 3/4" height	40 4000k temp 100%			CONTROLS OPTIONS (CHOOSE 1)					
44 4 1/2" width 4 3/4" height	50 5000k temp 103%			ODL Wattstopper occupancy and dimming, 8-15'AFF			ODM Wattstopper occupancy and dimming, 15-30'AFF		
36' 6" width 3 3/4" height	TW* 27K-65K			LLIL Luton-Limelight wireless, internal. 8-15ft AFF			LLIM Luton-Limelight wireless, internal. >15-30ft AFF		
46' 6" width 4 3/4" height	*Consult factory for other CCT ranges			LLIH Luton-Limelight wireless, internal. >30-40ft AFF			LLXL Luton-Limelight wireless, external. 8-15ft AFF		
				LLXM Luton-Limelight wireless, external. >15-30ft AFF			LLXH Luton-Limelight wireless, external. >30-40ft AFF		
		Custom Output LED Im/ft CCT 32, 42, 62 : 430-1350 lm/ft 33, 43, 63 : 430-1510 lm/ft 34, 44, 64 : 460-1610 lm/ft 36, 46, 66 : 490-1710 lm/ft OR Replace LED Output With RGBW LED							

1 Available in WOL shielding only

Customer Name	Date
Project Name	
Catalog Number	

CONTROLS & SENSORS

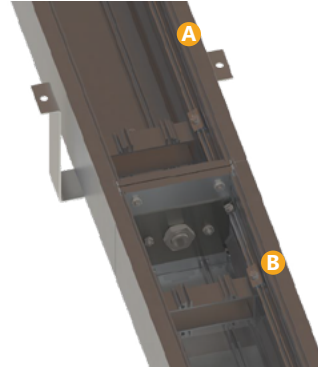
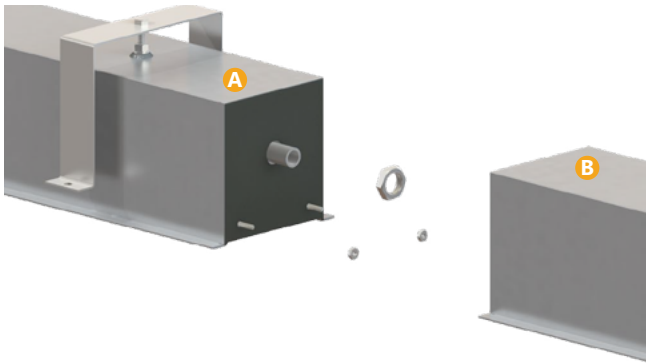
Ordering Code	Description
ODL	Wattstopper occupancy and dimming, 8-15' AFF
ODM	Wattstopper occupancy and dimming, 15-30' AFF
LLIL	Luton-Limelight wireless, internal. 8-15ft AFF
LLIM	Luton-Limelight wireless, internal. >15-30ft AFF
LLIH	Luton-Limelight wireless, internal. >30-40ft AFF
LLXL	Luton-Limelight wireless, external. 8-15ft AFF
LLXM	Luton-Limelight wireless, external. >15-30ft AFF
LLXH	Luton-Limelight wireless, external. >30-40ft AFF

DIMMING OPTIONS

Ordering Code	Description
DALI	Digitally Addressable Lighting Interface
DMX	DMX 512

Components and Assembly

JOINING HARDWARE



Drawings

AQUAS2 REC RGBW

AQUAS3 REC RGBW

AQUAS4 REC RGBW

AQUAS6 REC RGBW

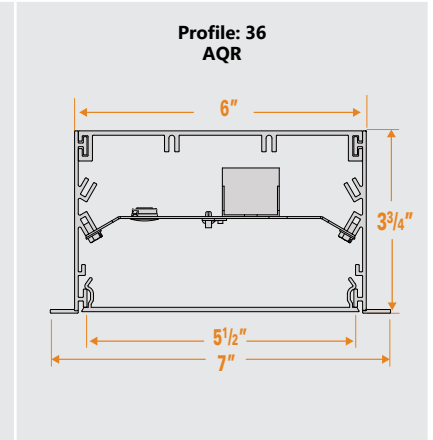
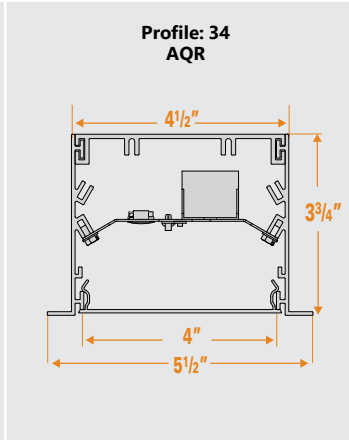
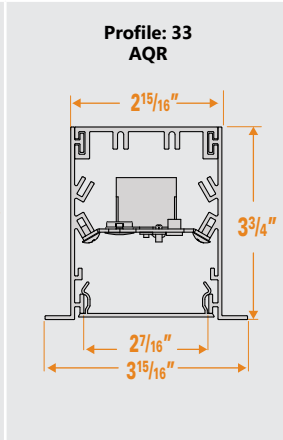
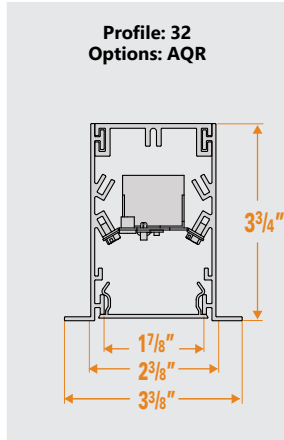
2"W

3"W

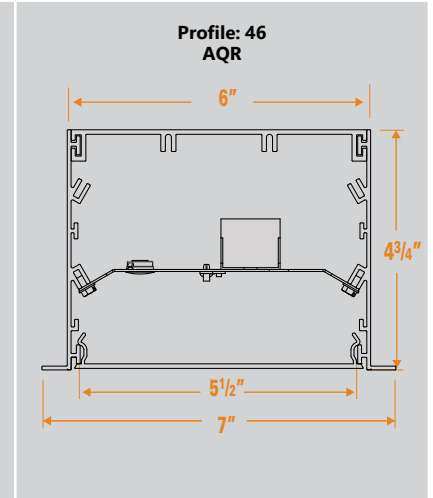
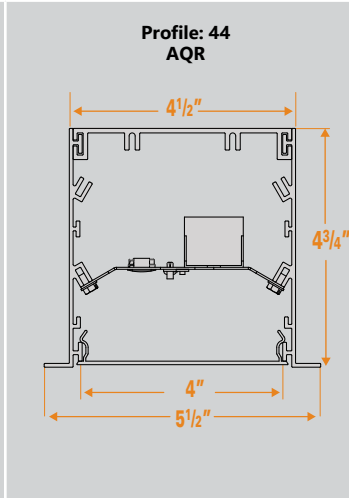
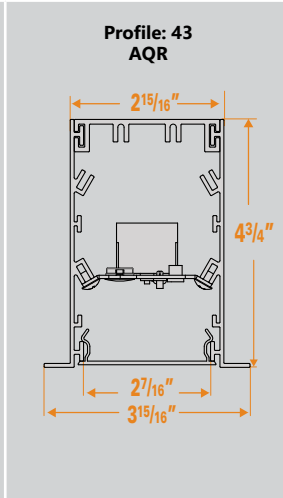
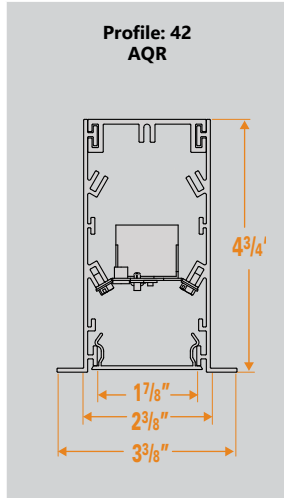
4"W

6"W

3"H



4"H



¹ Consult factory for asymmetric configuration

RGBW Data

PRODUCT NAME	COLOR TEMPERATURE	CRI
SAX-xx-RGBWLED27	27K	90
SAX-xx-RGBWLED30	30K*	90*
SAX-xx-RGBWLED35	35K*	90*
SAX-xx-RGBWLED40	40K	90
SAX-xx-RGBWLED50	50K	90
SAX-xx-RGBWLED65	65K	90

*CCT Normally Stocked. Example: SAX-22-RGBWLED27

PRODUCT DESCRIPTION

Forum RGBW combines architectural grade white LEDs with RGB LEDs, poke in connectors, and a cut length of 2 inches for easy installation in any application. Color uniformity is matched across each order and for any run length.

TECHNICAL SPECIFICATIONS

RGBW LED MECHANICAL INFORMATION:

- Flexible reeled form factor
- Cuttable every 2 in
- Specification-Grade 3M 300LSE Adhesive Backing
- LED Pitch: 0.5 in
- Width: 0.787 in (20mm)
- Reel length 44'

PHOTOMETRIC PERFORMANCE:

- Nominal White Output: 588 lum/ft (3500K, 90CRI, 240 mA/ft, 4' Run Length)
- Reel to Reel Color Uniformity
- Beam Angle: 120°
- CCT Range: 2700K - 6500K
- 90+ CRI Standard
- 3-Step MacAdam Ellipse Color Binning

ELECTRICAL INFORMATION:

- Poke-In Connectors
- 24V Constant Voltage Input, Common Anode
- DMX Controllable in 4 channels
- On Board ESD Protection
- Power Draw: 14.3 W/ft
- Max Recommended Run Length per driver: 4'
- Wire Size: 18-24 AWG, solid or stranded

LIFETIME INFORMATION:

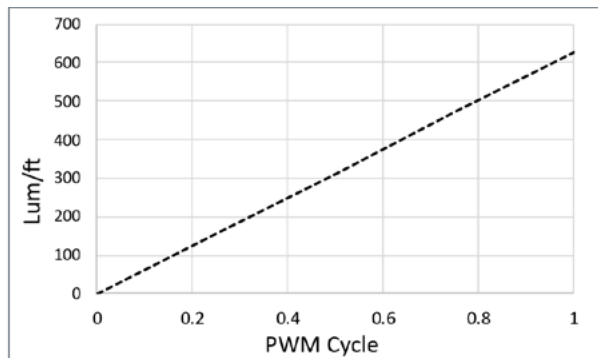
- LM-80 Tested LEDs by CREE
- L80 > 72,000 Hrs for Ts = 55°C, 42mA Per Section
- L80 = 60,500 Hrs for Ts = 105°C, 42mA Per Section
- 5-Year Warranty

ELECTRICAL CHARACTERISTICS

Assuming 35K, 90 CRI, 45°C

WHITE	
Current (mA/ft)	240
Voltage (V)	24.0
Flux (lm/ft)	588
RED	
Current (mA/ft)	117
Voltage (V)	24.0
Flux (lm/ft)	9,600
GREEN	
Current (mA/ft)	109
Voltage (V)	24.0
Flux (lm/ft)	19,200
BLUE	
Current (mA/ft)	109
Voltage (V)	24.0
Flux (lm/ft)	4,800

WHITE OUTPUT VS. PWM CYCLE



*Forum maintains a tolerance of 7% on flux measurements.

RGBW Data - (Continued)

ABSOLUTE MAXIMUM RATINGS

Assuming 35K, 90 CRI, 45°C

WHITE	
Current (mA/ft)	314
Voltage (V)	26
Flux (lm/ft)	804
Temperature (° C)	95

RED	
Current (mA/ft)	129
Voltage (V)	26
Temperature (° C)	85

GREEN	
Current (mA/ft)	120
Voltage (V)	26
Temperature (° C)	85

BLUE	
Current (mA/ft)	120
Voltage (V)	26
Temperature (° C)	85

COMPONENTS	
Max Connector Current (Common Anode)	9
Max Connector Current (4x Cathode)	3
Max Recommended Run Length (ft)	4

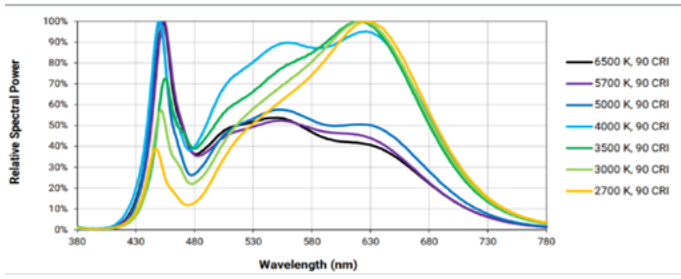
DERATING

COLOR TEMPERATURE (90CRI)	LIGHT OUTPUT
2700K	93%
3000K	98%
3500K	100%
4000K	103%
5000K	103%
6500K	103%

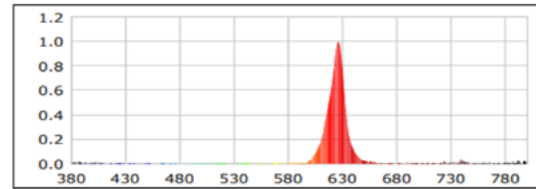
OPTICAL SPECIFICATIONS

Spectral Power Distribution

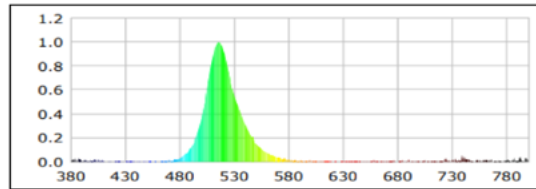
WHITE 90 CRI



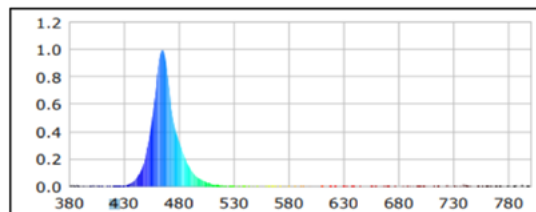
RED



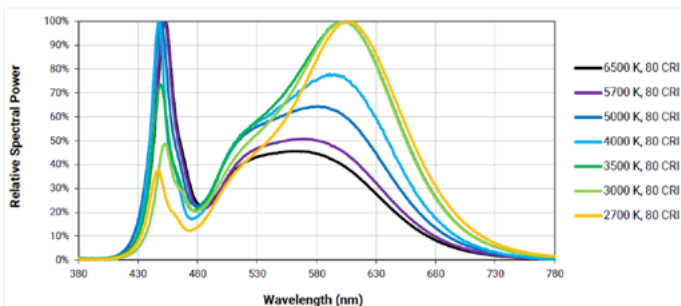
GREEN



BLUE



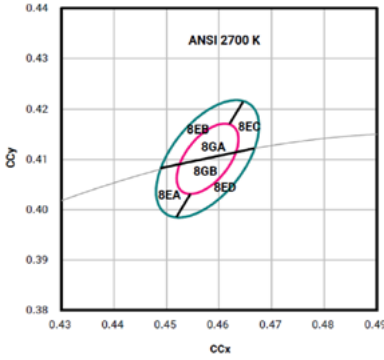
WHITE 80 CRI



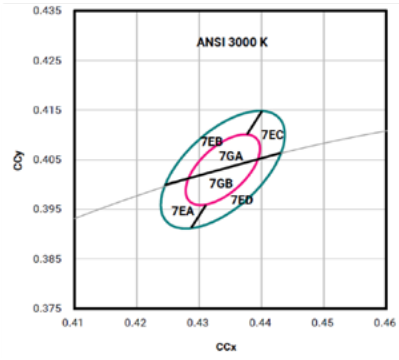
RGBW Data - (Continued)

COLOR BINNING INFORMATION

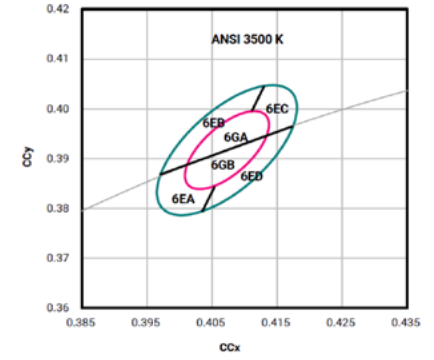
2700K 3-STEP (8GA, 8GB)



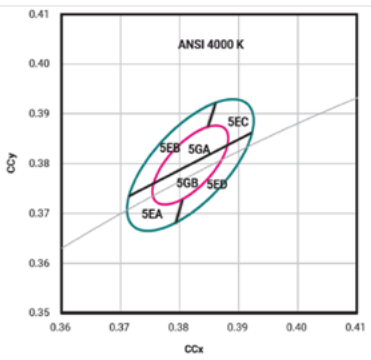
3000K 3-STEP (7GA, 7GB)



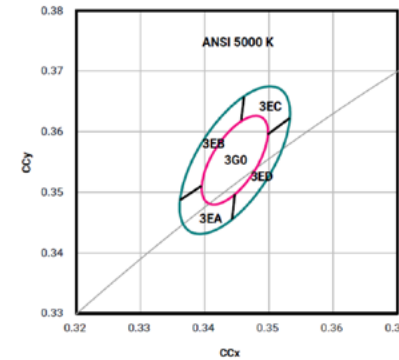
3500K 3-STEP (6GA, 6GB)



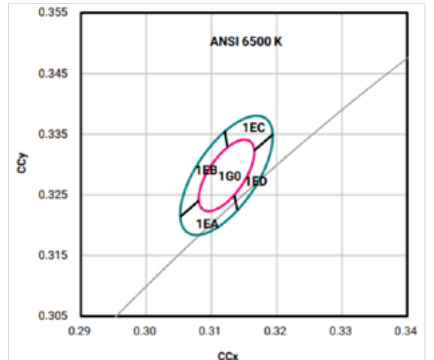
4000K 3-STEP (5GA, 5GB)



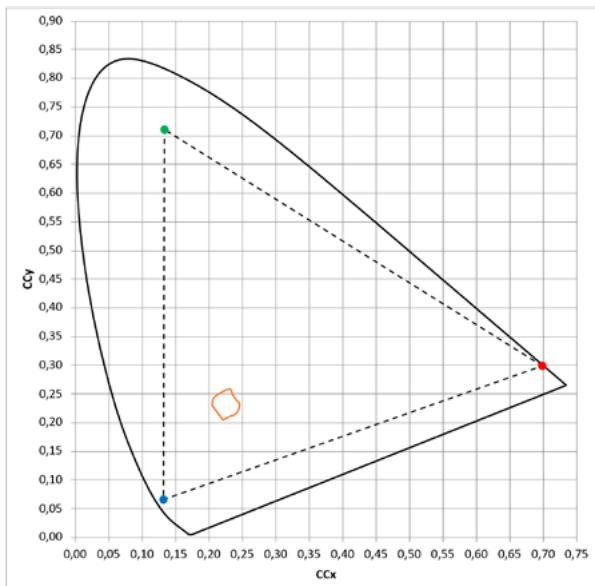
5000K 3-STEP (3G0)



6500K 3-STEP (1G0)



RGB SINGLE BIN (WHITE-BINNED)



TW Data

ELECTRICAL CHARACTERISTICS

Instructions: Multiply the length of your run of LUXroll in inches by the desired flux and current to find the total values needed for your fixture.

2700K, 90 CRI, 45°C

EACH 1" SEGMENT					
Current (mA/1")	10	20	30	45	60
Voltage (V)	32.7	33.9	35.0	36.3	37.2
Flux (lm/1")	42	83	120	172	217

1 FOOT					
Current (mA/ft)	120	240	360	540	720
Voltage (V)	32.7	33.9	35.0	36.3	37.2
Flux (lm/ft)	510	992	1445	2064	2602

8 FEET					
Current (mA/ft)	960	1920	2880	4320	5760
Voltage (V)	32.7	33.9	35.0	36.3	37.2
Flux (lm/ft)	4079	7939	11562	16510	20817

6500K, 90 CRI, 45°C

EACH 1" SEGMENT					
Current (mA/1")	10	20	30	45	60
Voltage (V)	32.7	33.9	35.0	36.3	37.2
Flux (lm/1")	47	91	133	190	239

1 FOOT					
Current (mA/ft)	120	240	360	540	720
Voltage (V)	32.7	33.9	35.0	36.3	37.2
Flux (lm/ft)	563	1095	1595	2277	2871

8 FEET					
Current (mA/ft)	960	1920	2880	4320	5760
Voltage (V)	32.7	33.9	35.0	36.3	37.2
Flux (lm/ft)	4501	8760	12757	18216	22968

COLOR MIXING

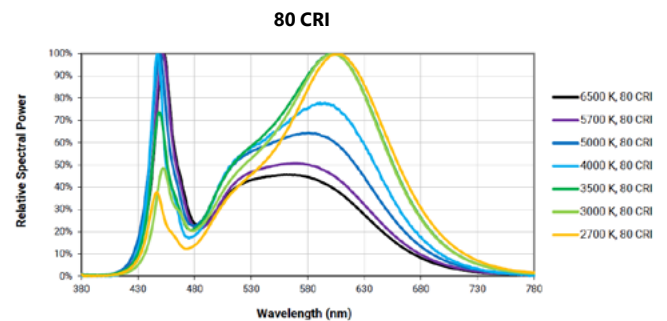
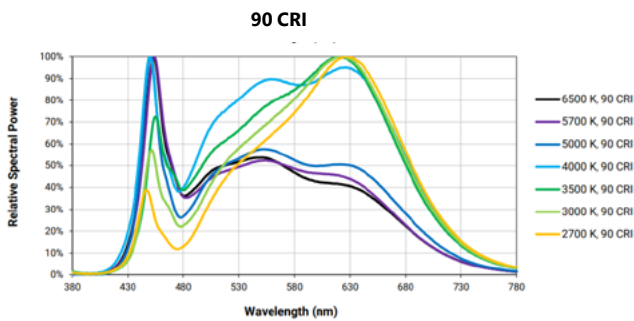
- Approximated from nominal current of 250mA per foot.
- Flux derating relative to 6500K EDs

CCT (K)						
Current, 27K (%)	100%	83%	67%	52%	30%	0%
Current, 65K (%)	0%	17%	33%	48%	70%	100%
Flux (%)	88%	90%	92%	94%	96%	100%
SDCM	3	6.5	8.5	8.5	6.5	3

*Performances will vary based on installation and thermal conditions.

OPTICAL SPECIFICATIONS

Spectral Power Distribution



Customer Name	Date
Project Name	
Catalog Number	

CONSTRUCTION

Housing:	Extruded aluminum, machined endcaps
Lens:	Satin, clear frosted, and white opal lenses.
Optical Assembly:	.040" aluminum in a pre-paint white finish. Fully wired unit remains completely accessible from below via ballast panel.
Paint:	Black, White, Silver, Custom Color

OPTICAL SYSTEM

Lumens:	430-1710 lm/ft
Wattage:	6.5 - 9.5 watts/ft
CCT:	2700k, 3000K, 3500K, 4000K, 5000K
CRI (Min):	TriGain® 90CRI
Color Consistency:	2SDCM

ELECTRICAL

Input Voltage:	120V, 277V, Universal Voltage
Input Frequency:	50/60Hz
Power Factor (PF):	>0.9
Total Harmonic Distortion (THD):	<16% - 120V <20% - 277V
Thermal Protection:	Type IC Inherently Protected
Temperature / Humidity:	Suitable for Wet Locations
Transient Protection:	All Non-Lutron = 2.5KV Lutron = 4KV

CONTROLS

Dimming:	Digitally Addressable Lighting Interface; DMX 512
-----------------	---

OPERATING TEMPERATURE

Product	Operating Temperature
STD (Non-EM) Options	-30-25°C (-22-77°F)
2in w/Battery	10-25°C (50-77°F)
3/4/6in w/Battery	0-25°C (32-77°F)

LUMEN MAINTENANCE

- L70>50K Hours

MOUNTING

- Recessed Hard Ceiling
- Recessed Tegular Ceiling

RATINGS

- Wet Rated

DESIGN LIFE & WARRANTY

- Warranty:**
- LED boards - 5 years
 - LED drivers (standard) - 5 years
 - LED drivers (Lutron) - 3 years



For Product or Technical Questions:

E: INFO@FORUMLIGHTING.COM
T: +1 412 781 5970