



Customer Name	Date
Project Name	
Catalog Number	



Klean Edge Cove

Integrated Cove Mounting

The Klean Edge Cove series by Forum is a fully-integrated cove system, creating a straight, consistent and clean cove in every space. Klean Edge Cove is available in multiple aesthetic profiles and offers precision engineered corners. Klean Edge Cove is offered in a standard profile of 2" x 8" with a 4 3/4" aperture. Current's patented TriGain® phosphor delivers 90 CRI color quality at 80 CRI efficacy.

Ordering

KEC — — LED — X — — — — —

lm/ft CCT

MOUNTING	OUTPUT		SHIELDING	LENGTH	VOLTAGE	FINISH	OPTION 1	OPTION 2	OPTION 3	OPTION 4
S Sabre F Flat Front R Round	lm/ft	CCT	SAT Satin Lens	2 2'	120V	WH White	90 CRI 90 CRI	EMLED LED battery pk	EC Emergency Circuit	
	65 650 lm/ft 7.3 input watts/ft*	27 2700k temp 93.5% Special order option	WOL White Opal lens	3 3'	277V	SV Silver	CP Chicago Plenum	SW Separate Switch	F Fusing	
	95 950 lm/ft 10.6 input watts/ft*	30 3000k temp 95.2%	CFA Clear Frosted Acrylic lens	4 4'	UNV Universal	BK Black	DIMMING OPTIONS (CHOOSE 1)			
	110 1100 lm/ft 12.3 input watts/ft*	35 3500k temp 96.8%		5 5'			D10V 0-10V dimming 1% power class	DLA2 Lutron Hi-lume 1% 2-wire LED driver (120V forward phase only)	DLA3 Lutron Hi-lume 1% 3-wire LED driver	
		40 4000k temp 100%	6 6'	DLA5 Lutron Hi-lume 1% EcoSystem LED driver		DLEH5 Lutron Hi-lume 1%-H EcoSystem LED driver with Soft-On, Fade-to-Black	DALI Digitally Addressable Lighting Interface			
			7 7'	DIM Dimming: Please specify dimming manufacturer/model (if required)						
			8 8'	CONTROLS OPTIONS (CHOOSE 1)						
			XX Specify run length in even foot increments. Round run dimensions to next whole foot increment. System can be tailored to field conditions at time of insulation	LVP Lutron - Vive power pak		C110 Casambi (1x 010v)				
				C210 Casambi (2x 010v)		CRGBW Casambi (RGBW)				

- 1 60 option available with 40 Fixture Length only
- 2 90 option available with 60 Fixture Length only
- 3 A2 option available with 80 Fixture Length only
- 4 10ft aircraft cables with grippers and hourglass sleeves pre-installed. Canopy kits ordered separately
- 5 G2 option available with 60 Fixture Length and 90 Lumen Output options only
- 6 10ft Power cord included. 300V 18AWG, 5-Conductor wire
- 7 Power cord not required for G2 mounting option



Klean Edge Cove Series

Integrated Cove Mounting

Customer Name	Date
Project Name	
Catalog Number	

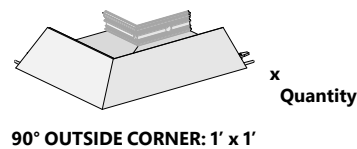
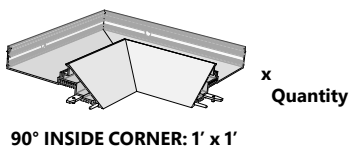
CONTROLS & SENSORS

Ordering Code	Description
LVP	Lutron - Vive power pak
C110	Casambi (1x 010v)
C210	Casambi (2x 010v)
CRGBW	Casambi (RGBW)

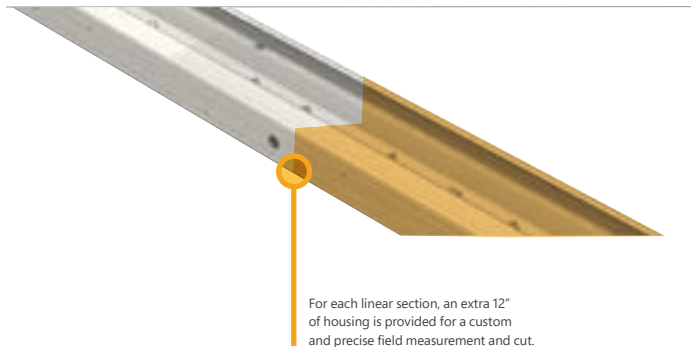
DIMMING OPTIONS

Ordering Code	Description
D10V	0-10V Dimming, 1% power class
DLA2	Lutron Hi-lume 1% 2-lire LED driver (120V forward phase only)
DLA3	Lutron Hi-lume 1% H EcoSystem LED driver with soft-On, Fade-to-Black
DLA5	Lutron Hi-lume 1% EcoSystem LED driver
DLEH5	Lutron Hi-lume 1% H EcoSystem LED driver with soft-On, Fade-to-Black
DALI	Digitally Addressable Lighting Interface
DIM	Custom Dimming. Please specify dimming manufacturer/model

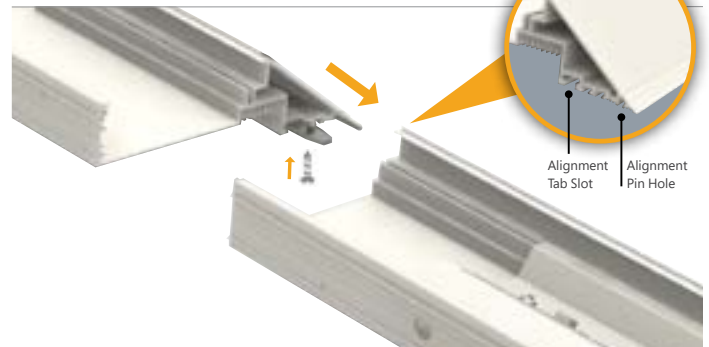
2. OPTIONAL ACCESSORIES



PRECISION FIELD CUT



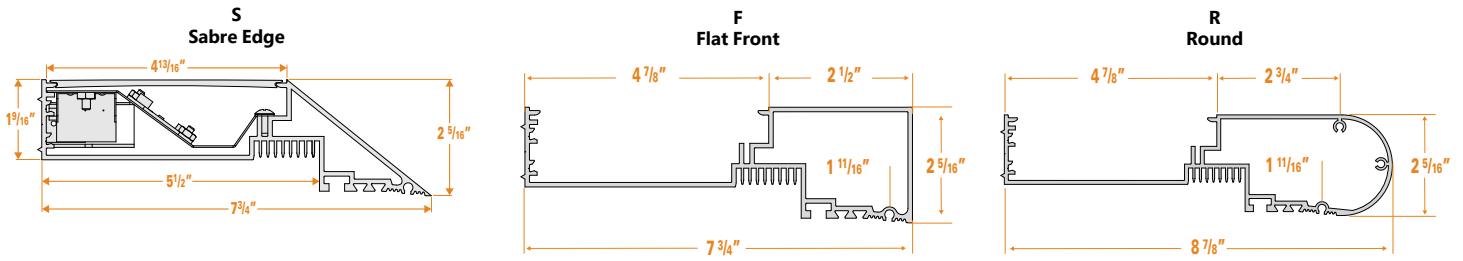
JOINING HARDWARE



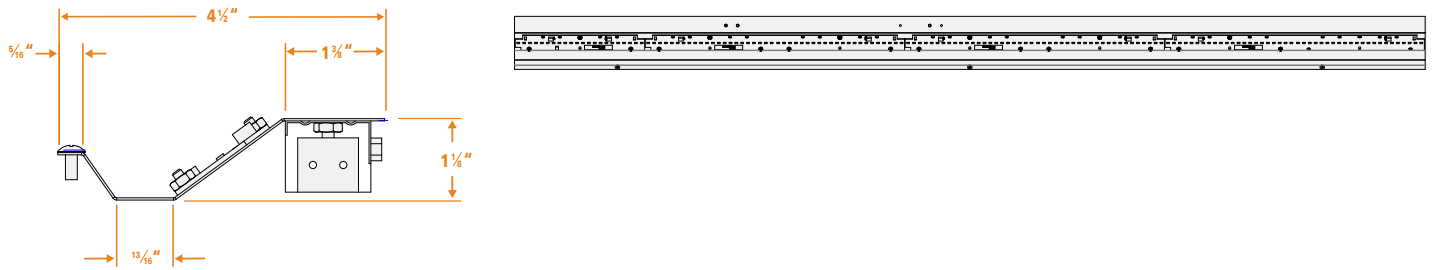


Customer Name	Date
Project Name	
Catalog Number	

Housing Profiles

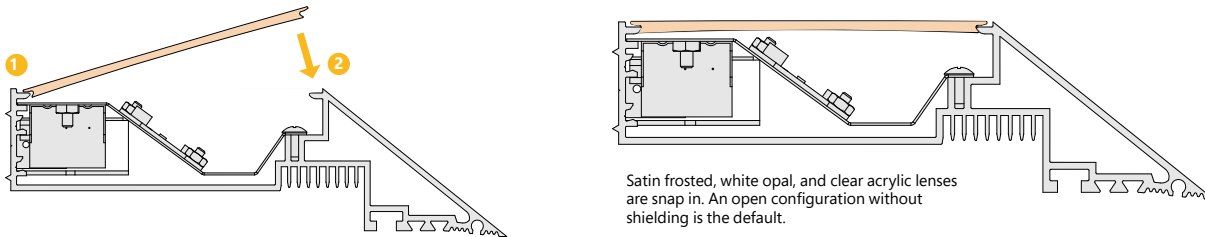


GEARTRAY DETAIL



Shielding, Emergency Circuits, and Dimming Options

LENS DETAIL



EMERGENCY CIRCUITS & DIMMING OPTIONS

Product Code	Description	Manufacturer
[none]	Non-Dimming	Universal Lighting Technologies
D10V	0-10V Dimming	Fulham
DLA2	Lutron Hi-lume 1% 2-wire LED driver (120V forward phase only)	Lutron
DLA3	Lutron Hi-lume 1% 3-wire LED driver	Lutron
DLA5	Lutron Hi-lume 1% EcoSystem LED driver	Lutron
DLEH5	Lutron Hi-lume 1%-H EcoSystem LED driver with soft-On, Fade-to-Black	Lutron
DLE55	Lutron 5-Series EcoSystem LED driver	Lutron
DALI	Digitally Addressable Lighting Interface	Lutron
EM1	550 Lumen Battery Pack	lota
EM2	1100 Lumen Battery Pack	lota
F	Fusing	Cooper Bussmann GLR-1/2



Customer Name	Date
Project Name	
Catalog Number	

Options and Housing Detail

CORNER OPTIONS



90°* INSIDE CORNER



90°* OUTSIDE CORNER



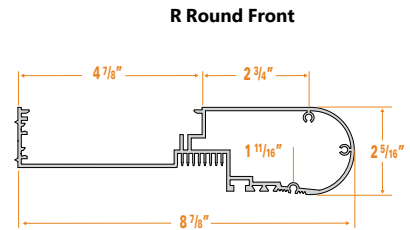
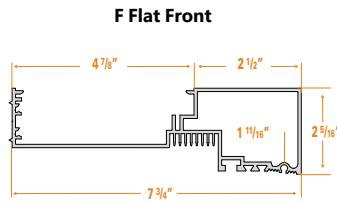
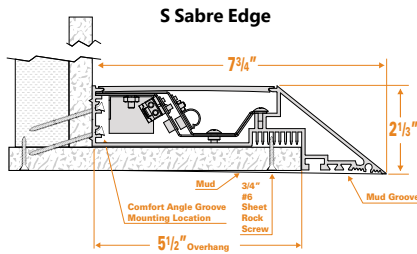
BEGINNING OF RUN
END CAP



END OF RUN
END CAP

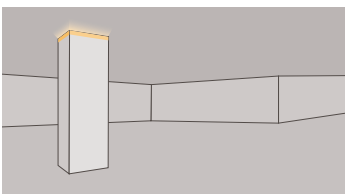
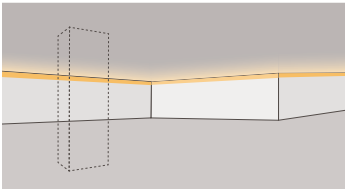
* Custom angles available

BODY PROFILE OPTIONS

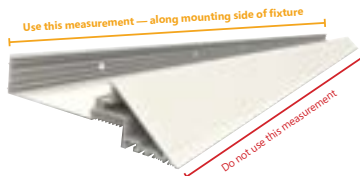


HOUSING DETAIL

Obtaining Proper Run Length Measurements



In order to achieve the proper run length measurement, be sure to use the dimension of total mounting surface.



Example continuous run system Pattern



Example KEC Housing Component List

To achieve the continuous run pattern seen at left, you will need:

- 1 1x Beginning of Run Endcap
- 2 1x Housing Kit
- 3 1x Inside Corner
- 4 2x Housing Kit
- 5 1x 90° Outside Corner
- 6 1x End of Run Endcap



Klean Edge Cove Series

Integrated Cove Mounting

Customer Name	Date
Project Name	
Catalog Number	

CONSTRUCTION

Housing:	Extruded aluminum, machined endcaps
Lens:	Satin frosted, white opal, and clear frosted acrylic lenses.
Optical Assembly:	20 GA cold rolled steel in a pre-paint white finish. Fully wired units remain completely accessible from above.
Paint:	Primer, Black, White, Silver, Custom Color

OPTICAL SYSTEM

Lumens:	650-1100 lm/ft
Distribution:	Asymmetric Indirect
Wattage:	7.3 - 12.3 watts/ft
CCT:	2700k, 3000K, 3500K, 4000K
CRI (Min):	TriGain® 90CRI
R9 (Min):	65
Color Consistency:	2SDCM

ELECTRICAL

Input Voltage:	120V, 277V, Universal Voltage
Input Frequency:	50/60Hz
Power Factor (PF):	>0.9
Total Harmonic Distortion (THD):	<16% - 120V <20% - 277V
Temperature / Humidity:	Suitable for Damp Locations
Transient Protection:	All Non-Lutron = 2.5KV Lutron = 4KV

CONTROLS

Dimming:	0-10V 1% power class; Lutron Hi-lume 1% 2-wire LED driver; Lutron Hi-lume 1% 3-wire LED driver; Lutron Hi-lume 1% EcoSystem LED driver; Lutron Hi-lume 1%-H EcoSystem LED driver with soft-On Fade-to-Black; Lutron 5-Series EcoSystem LED driver; Digitally Addressable Lighting Interface; Custom Dimming
-----------------	---

LUMEN MAINTENANCE

- L70>50K Hours

PROFILES

- S - Sabre
- F - Flat Front
- R - Round

DESIGN LIFE & WARRANTY

- Warranty:**
- LED boards - 5 years
 - LED drivers (standard) - 5 years
 - LED drivers (Lutron) - 3 years



For Product or Technical Questions:

E: INFO@FORUMLIGHTING.COM
T: +1 412 781 5970