



Customer Name	Date
Project Name	
Catalog Number	



Hydro Series

32

The Hydro series by FORUM is a robust linear luminaire, capable of withstanding the harshest of environments. The housing is constructed from aircraft grade aluminum with exterior grade powder coat finish and sports a premium fit and finish. The optical compartment is weather sealed behind a tempered glass lens and a masked perimeter creates a refined aesthetic without compromising the IP66 rating. Hydro is available in a variety of optical and mounting configurations. Current's patented TriGain® phosphor delivers 90 CRI color quality at 80 CRI efficacy.

Ordering

HYD — 32		LED		OUTPUT		OPTICS		MOUNTING		LENGTH		VOLTAGE		FINISH		OPTION 1		OPTION 2		OPTION 3		
Im/ft	CCT	Im/ft	CCT	SAT	W	2	120V	WH	F	B	90 CRI		DIMMING OPTIONS (CHOOSE 1)		D10V		DLA2		DALI			
65 650 lm/ft 6.8 input watts/ft*	27 2700k temp 93.5% Special order option	10 10 Deg.	30 30 Deg.	30 30 Deg.	60 60 Deg.	90 90 Deg.	ASY Asymmetric	W Cantilevered Wall Brackets* 6" / 12" / 18"	S Surface Mount Spec. wall bracket length	3 3'-1 3/16"	4 4'-1 3/16"	277V	SV Silver	BK Black	CC Custom Color Provide custom color RAL#:	D10V 0-10V dimming 1% power class	DLA2 Lutron Hi-lume 1% 2-wire LED driver (120V forward phase only)	DALI Digitally Addressable Lighting Interface	DIM Dimming: Please specify dimming manufacturer/model (if required)		CONTROLS OPTIONS (CHOOSE 1)	
95 950 lm/ft 10 input watts/ft*		30 3000k temp 95.2%	35 3500k temp 96.8%	40 4000k temp 100%		50 5000k temp 103%		Standard run length in even foot increments.		Individual units cannot be joined in field to create runs.		LLXL Luton-Limelight wireless, external. 8-15ft AFF		LLXM Luton-Limelight wireless, external. >15-30ft AFF		LLXH Luton-Limelight wireless, external. >30-40ft AFF						
* Assumes 4000k w/ satin lens		Lumen Multiplier = % of 4000K		Consult factory for limitations		System Power Draw: 65LEDxx = 6.8W/ft 95LEDxx = 10W/ft 110LEDxx = 11.6W/ft																

- 1 60 option available with 40 Fixture Length only
- 2 90 option available with 60 Fixture Length only
- 3 A2 option available with 80 Fixture Length only
- 4 10ft aircraft cables with grippers and hourglass sleeves pre-installed. Canopy kits ordered separately
- 5 G2 option available with 60 Fixture Length and 90 Lumen Output options only
- 6 10ft Power cord included. 300V 18AWG, 5-Conductor wire
- 7 Power cord not required for G2 mounting option



Customer Name	Date
Project Name	
Catalog Number	

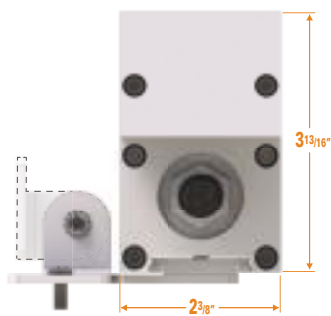
CONTROLS & SENSORS

Ordering Code	Description
LLXL	Luton-Limelight wireless, external. 8-15ft AFF
LLXM	Luton-Limelight wireless, external. >15-30ft AFF
LLXH	Luton-Limelight wireless, external. >30-40ft AFF

DIMMING OPTIONS

Ordering Code	Description
D10V	0-10V Dimming, 1% power class
DLA2	Lutron Hi-lume 1% 2-1ire LED driver (120V forward phase only)
DLEH5	Lutron Hi-lume 1% H EcoSystem LED driver with soft-On, Fade-to-Black
DALI	Digitally Addressable Lighting Interface
DIM	Custom Dimming. Please specify dimming manufacturer/model

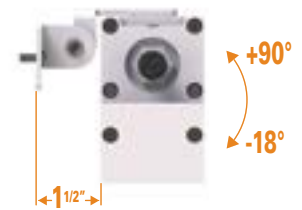
DRAWINGS



W
Cantilevered Wall Bracket



S
Surface Mount



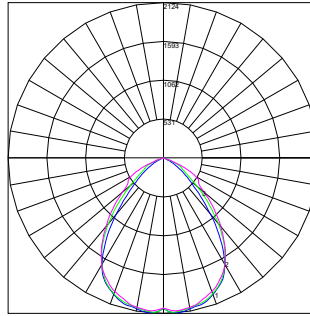


Customer Name	Date
Project Name	
Catalog Number	

Photometrics

Logic/Config
4' HYDRO

3791 Lumens
HYD-32-95LED40-90-S X 4'-UNV-WH-D10V



ZONE	LUMENS	% OF FIXTURE
0-20	775.69	20.50
0-30	1627.17	42.90
0-40	2515.58	66.40
0-60	3560.42	93.90
0-80	3790.4	100.00
0-90	3790.75	100.00

ZONE	LUMENS	% OF FIXTURE
10-90	3590.74	94.70
20-40	1739.89	45.90
20-50	2393.65	63.10
40-70	1251.63	33.00
60-80	229.98	6.10
70-80	23.19	0.60
80-90	0.35	0.00
90-110	0.00	0.00
90-120	0.00	0.00
90-130	0.00	0.00
90-150	0.00	0.00
90-180	0.00	0.00
110-180	0.00	0.00
0-180	3790.75	100.00



Customer Name	Date
Project Name	
Catalog Number	

CONSTRUCTION

Housing:	Extruded aluminum, machined endcaps
Lens:	Tempered glass with optional satin frosted and Asymmetric lenses
Optical Assembly:	.040" aluminum in a pre-paint white finish
Paint:	Black, White, Silver, Custom Color

OPTICAL SYSTEM

Lumens:	650-1100 lm/ft
Distribution:	10, 30, 60, 90, Asymmetric, Lambertian
Efficacy:	Up to 128 LPW
Wattage:	6.8 - 11.6 watts/ft
CCT:	2700k, 3000K, 3500K, 4000K, 5000K
CRI (Min):	TriGain® 90CRI
R9 (Min):	65
Color Consistency:	2SDCM

ELECTRICAL

Input Voltage:	120V, 277V, Universal Voltage
Input Frequency:	50/60Hz
Power Factor (PF):	>0.9
Total Harmonic Distortion (THD):	<16% - 120V <20% - 277V
Temperature / Humidity:	Suitable for Wet Locations + IP66
Transient Protection:	All Non-Lutron = 2.5KV Lutron = 4KV

CONTROLS

Dimming:	0-10V 1% power class; Lutron Hi-lume 1% 2-wire LED driver; Lutron Hi-lume 1%-H EcoSystem LED driver with soft-On Fade-to-Black; Lutron 5-Series EcoSystem LED driver; Digitally Addressable Lighting Interface; Custom Dimming
-----------------	--

LUMEN MAINTENANCE

- L70>50K Hours

MOUNTING

- W - Cantilevered wall brackets
- S - Surface Mount wall brackets

RATINGS

- IP66 Wet Rated

DESIGN LIFE & WARRANTY

- Warranty:**
- LED boards - 5 years
 - LED drivers (standard) - 5 years
 - LED drivers (Lutron) - 3 years



For Product or Technical Questions:

E: INFO@FORUMLIGHTING.COM
T: +1 412 781 5970